

One-Piece Toilet 连体座便器	K-20171T-*	K-20171T-S-*	K-20172T-*	K-20172T-S-*
Spec 规格	305mm	305mm	400mm	400mm
Includes Toilet Seat 含座便器盖板	K-20187T-*	K-20188T-*	K-20187T-*	K-20188T-*

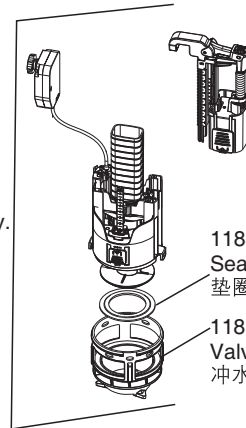
1317164-SP-*
New Patio 1PC
Tank Cover
水箱盖



1326142
Trip Handle Assy.
冲水把手组件



1190056-025
Flush Valve Assy.
冲水阀组件



1185877
Seal
垫圈

1185863
Valve Base
冲水阀座

83996
Gasket
密封垫圈

1187944
Main Seal
垫圈



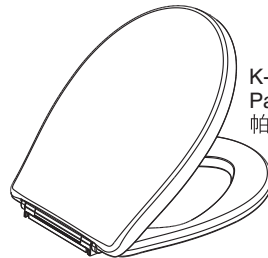
1187968
Refill Tube
补水管

1199715-021
Fill Valve Assy.
进水阀组件

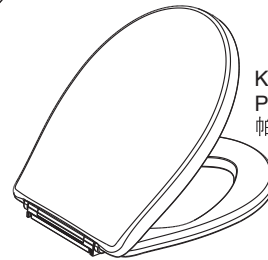
84929
Washer
垫圈



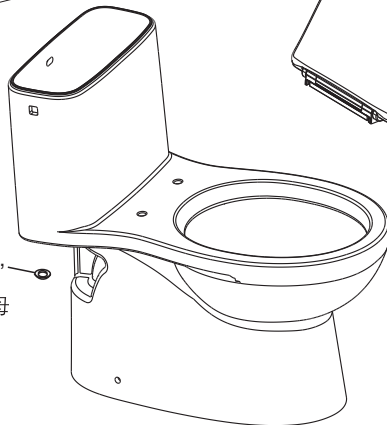
K-20187T-*
Patio Toilet Sest
帕瑞欧座便器盖板



K-20188T-*
Patio Quiet-close Toilet Sest
帕瑞欧缓降座便器盖板



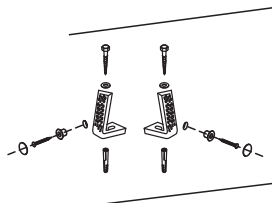
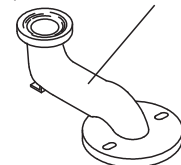
84897
Locknut,
Shank
自锁螺母



1129010
Plastic Trap Assy.
塑料弯管组件
(For K-20171T/K-20171T-S)
(适用于K-20171T/K-20171T-S)



1152758
Plastic Trap Assy.
塑料弯管组件
(For K-20172T/K-20172T-S)
(适用于K-20172T/K-20172T-S)



1124825-*
Bolt Cap Accessory Pack
地脚安装组件

Color code (-*) or finish (-**) must be specified when ordering.

订购时请说明颜色代码(-*)或表面处理(-**)

Please refer to service parts page packed with seat for detailed seat service parts.

盖板的维修零件请详见盖板的维修零件图。